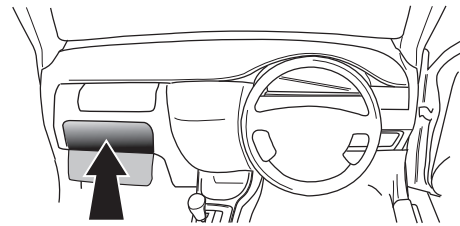


**! INFO !**

Do not charge the battery of the towing vehicle and/or towed vehicle directly via the socket.



**User guide**



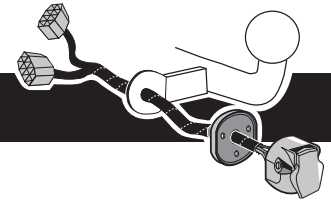
**SPARE PARTS**

**[www.ecs-electronicsuk.co.uk](http://www.ecs-electronicsuk.co.uk)**



Partnr.: VW-131-B1U

**User Guide**



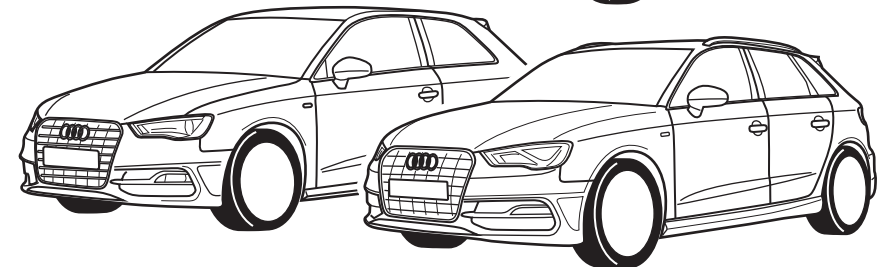
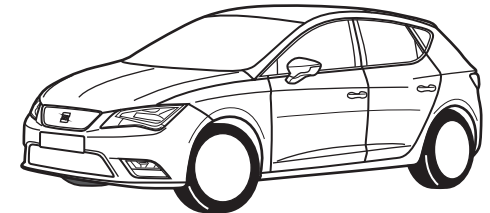
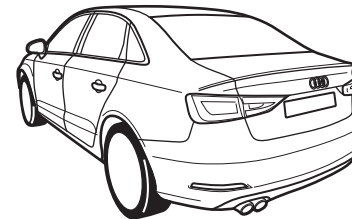
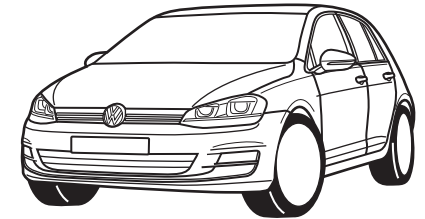
**Only for models with towbar preparation**

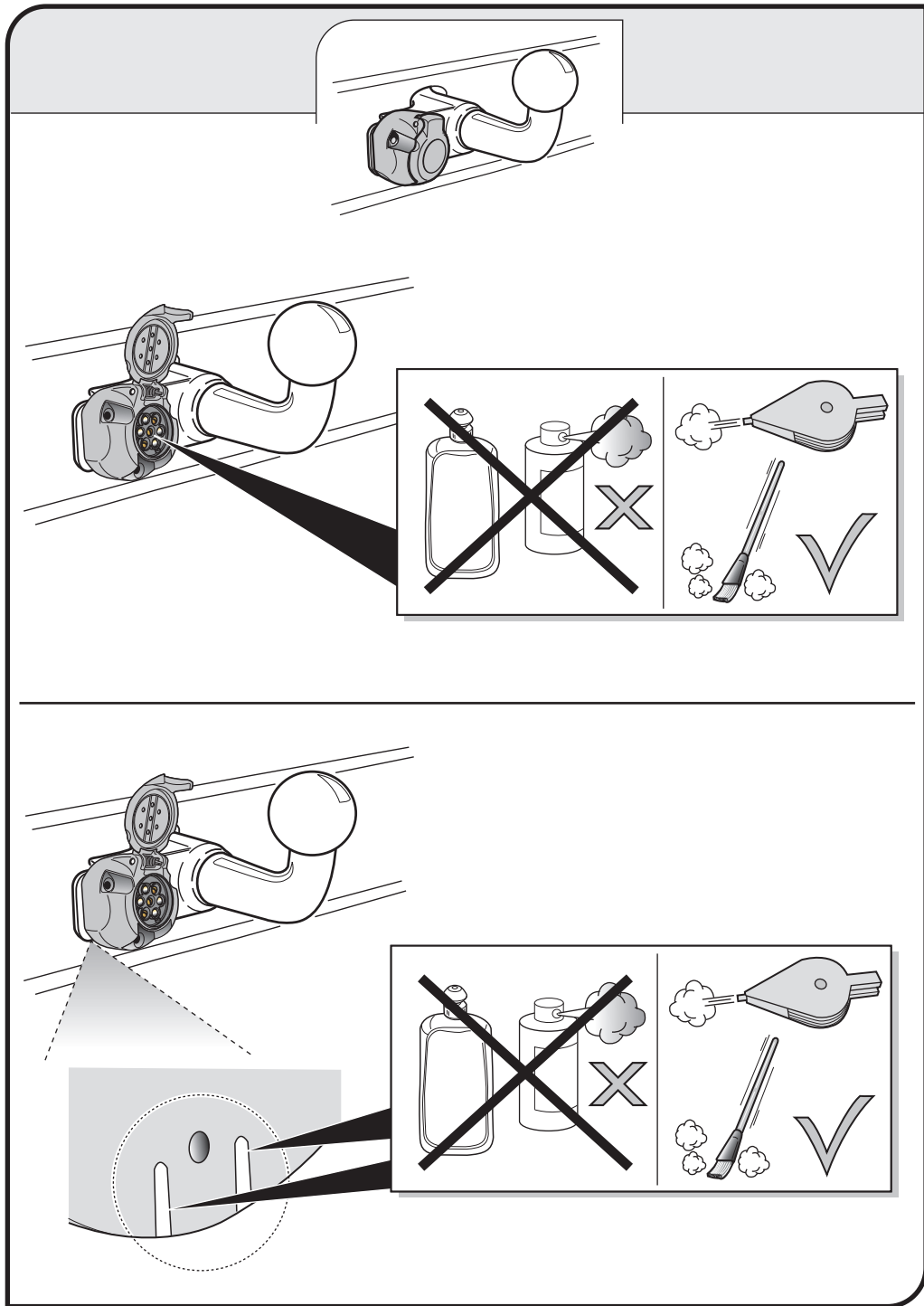
**VW Golf VII 5G Limo 10/2012-04/2014**  
**VW Golf VII 5G Variant 08/2013-04/2014**

**Audi A3 3D 2013-04/2014**  
**Audi A3 Sportback 2013-04/2014**  
**Audi A3 Limo 2014-04/2014**

**Skoda Octavia Limo 2012-04/2014**  
**Skoda Octavia Combi 2013-04/2014**

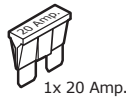
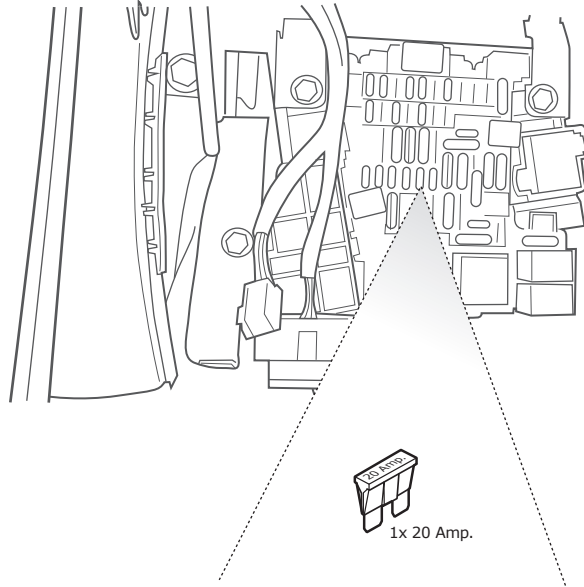
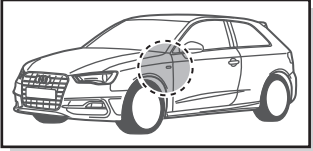
**Seat Leon Limo 2013-04/2014**





# CHANGING THE FUSE

AUDI A3 -2014



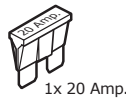
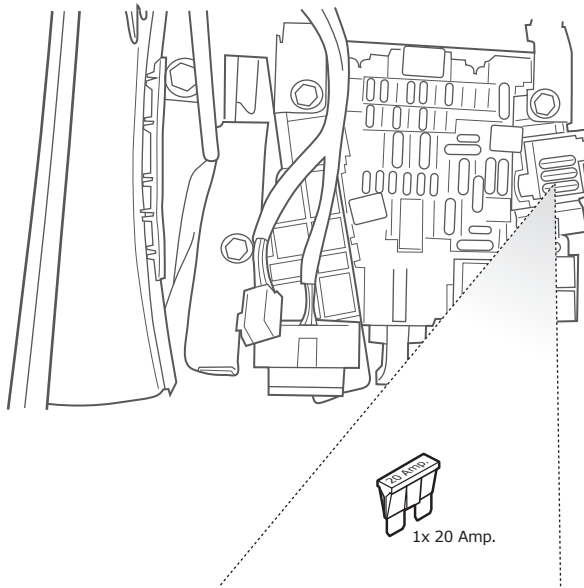
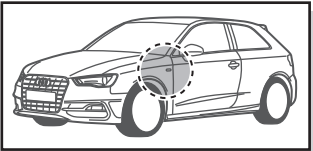
20 Amp.

Pos. 38



+30

AUDI A3 2014-

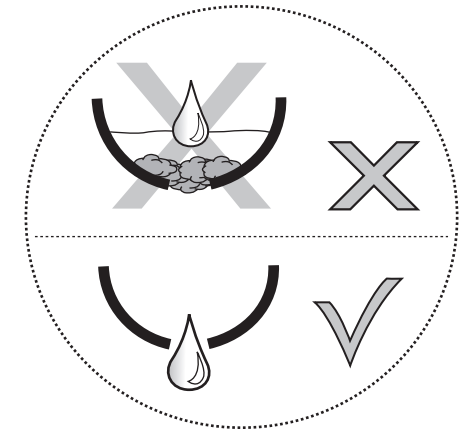
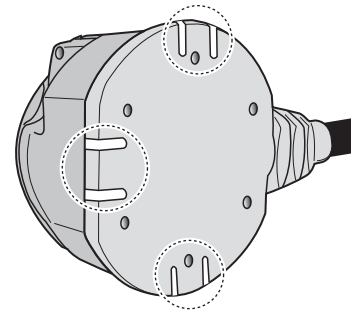
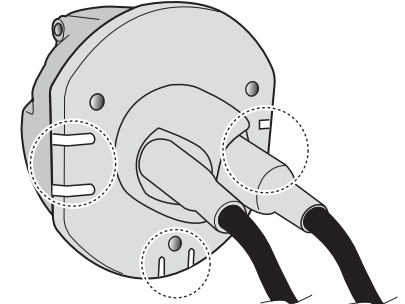
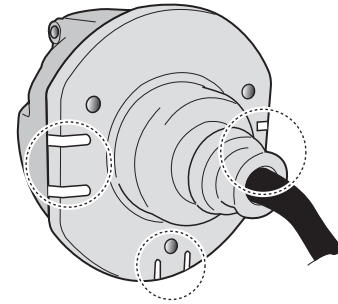
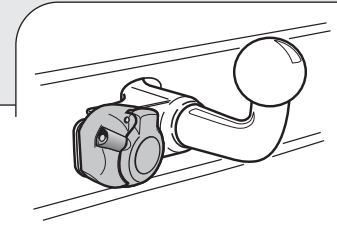


20 Amp.

PIN 3



+30



## SOCKET CONNECTION

DIN/ISO 1724							
	1/L	2	3/31	4/R	5/58-R	6/54	7/58-L
Pmax	21W	21W		21W	42W	3x21W	42W
Colour	Black/ White	Blue	Brown	Black/ Green	Grey/ Red	Black/ Red	Grey/ Black

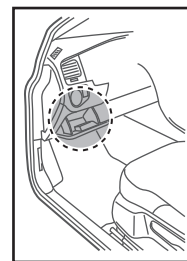


In a coupled trailer with working fog lamp, the fog lamp of the vehicle will be switched off, if applicable.



The flashing lights on the trailer are monitored. If one of the indicators of the trailer breaks down, a buzzer will be audible and/or a visual signal will be visible on the dashboard. Check the flashing lights on the trailer.

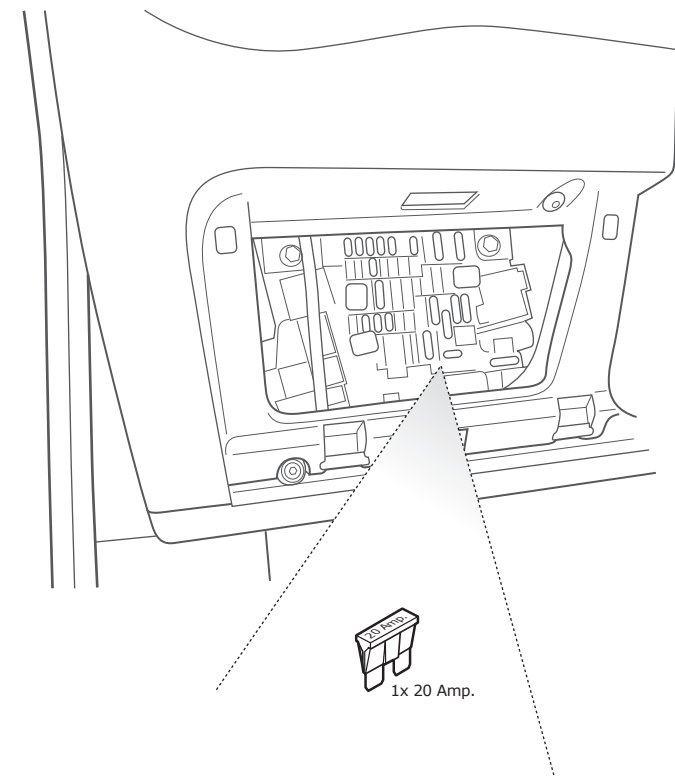
## CHANGING THE FUSE



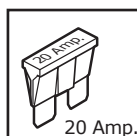
VW Golf VII 5G

Skoda Limo / Combi

Seat Leon Limo

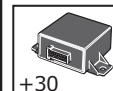


20 Amp.  
1x 20 Amp.



20 Amp.

Pos. 38



+30